

SD10 Intelligent Loop Powered LED Indicator

Description

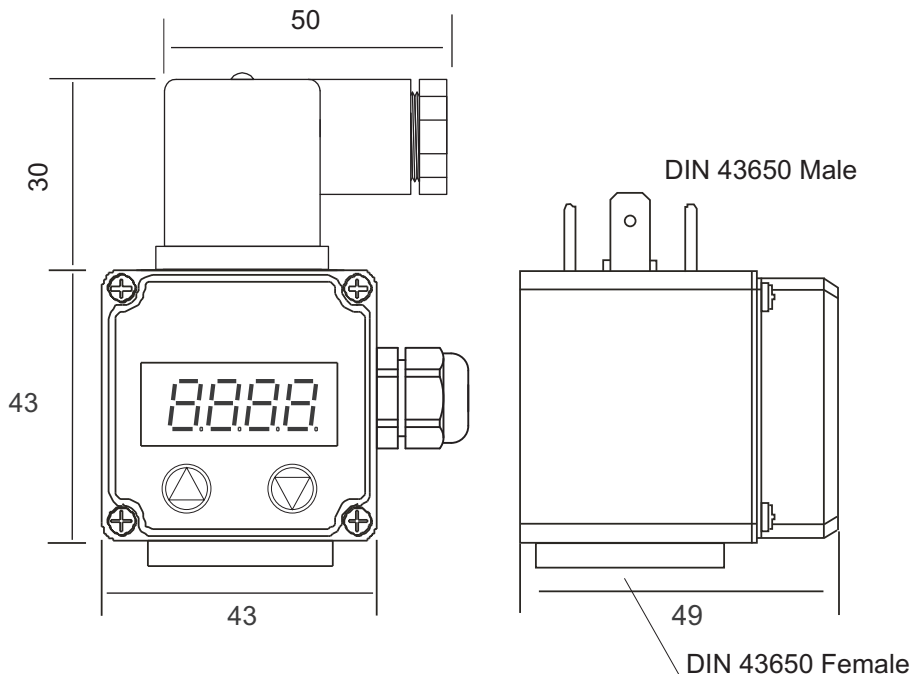
The SD10 Indicator offers high performance and easy installation through its 2-wire push-button design and easy to read LED display. The indicator is housed in a compact enclosure suitable for field mounting on top of existing transmitters. The on-board digital LED display provides a continuous, scaleable, display of the 4...20mA input as well programming of individual alarm outputs. Easy to follow programming assists the user during set-up and calibration of the indicator.

Specifications

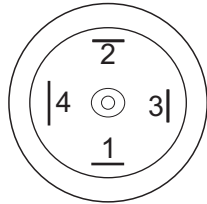
Input: 4...20mA
Loop Voltage Drop: 2V nominal at 20mA
Current Range: 3 to 20.5mA
Input Protection: 200mA either direction
Output: 2 PNP (Max 100mA) optional
Display Range: 4 digits -1999 to 9999
Response Time: Better than 5ms
Digital Damping: 0-20s (in step of 0.5s)
Accuracy Error: +/- 0.05% of full scale
Ambient Temp: -25 to 80°C
Display: LED 4-digit 7mm
Power Supply: Powered by 4 to 20mA loop
Case Material: ABS black
Connection: DIN43650
EMC: EN50081-1, EN50082-2,
73/23/ECC & 89/336/EEC



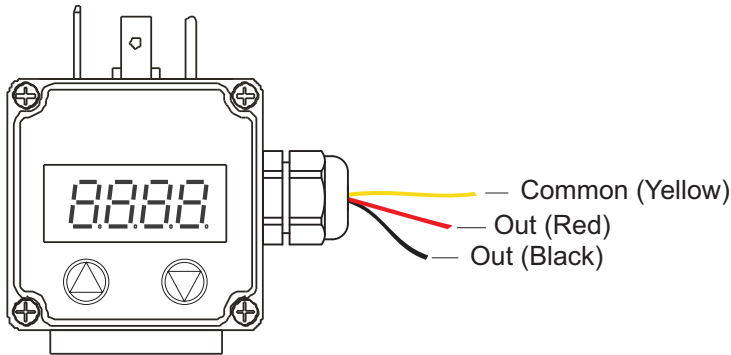
Dimensions (mm)



Electrical Connection



Pins:
 1- Positive (+)
 2- Negative (-)
 3- None
 4- Ground



Wiring Diagram

