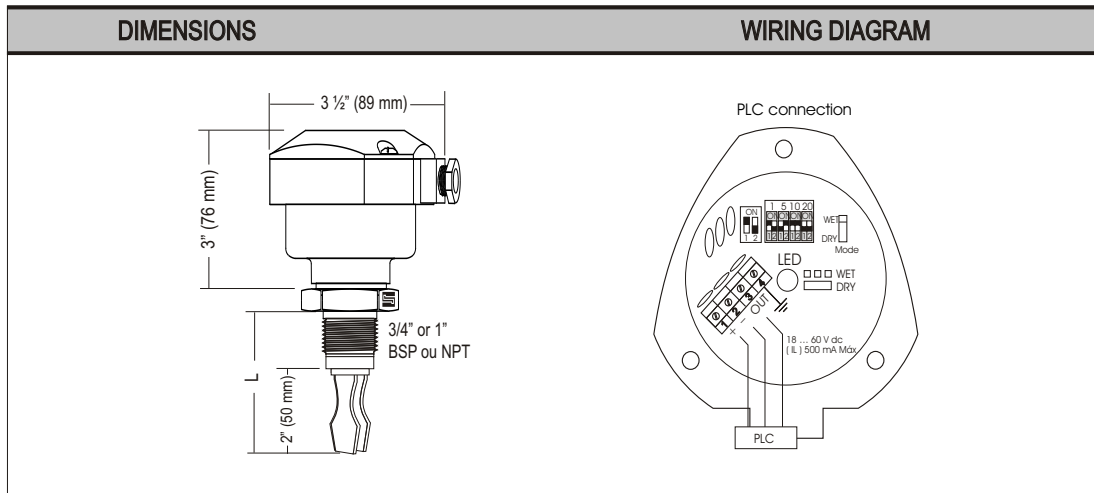




VTK-DC Power Supply:
20-60VDC (3 wire)
Output: PNP Transistor



For our sales office in New York, please call: (516) 935-8001 Fax: (516) 935-6001
www.sitron.com